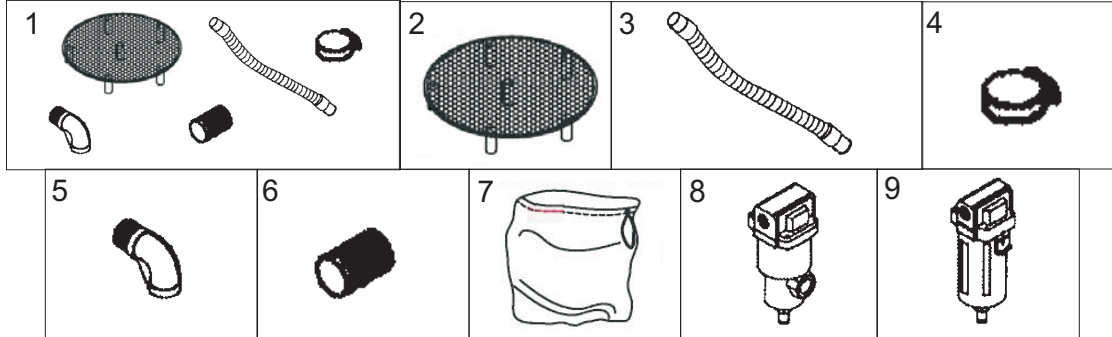


TABLE OF CONTENTS

DEPRESSOR KITS AND ACCESSORIES	Page 2
OPTIONAL HOSE ASSEMBLIES	Page 3
OPTIONAL AIR SUPPLY HOSE ASSEMBLIES	Page 4
OPTIONAL HOSE ONLY	Page 4
OPTIONAL HOSE ACCESSORIES	Page 5
CARTRIDGES FOR REVERSE PULSE AND REVERSE PURGE	Page 6
OPTIONAL HEPA/ULPA FILTRATION	Page 6
OPTIONAL FILTRATION ACCESSORIES	Page 7
OPTIONAL Ø32mm TOOLS	Page 8
OPTIONAL Ø38mm TOOLS	Pages 9-10
OPTIONAL Ø38mm ACCESSORIES	Page 10
OPTIONAL Ø50mm TOOLS	Page 11
OPTIONAL Ø50mm TOOLS AND ACCESSORIES	Page 11
OPTIONAL Ø38mm TOOL KITS	Pages 12-13
OPTIONAL Ø50mm TOOL KITS	Page 14
MAIN CLOTH FILTERS	page 15
CAGES FOR MAIN CLOTH FILTERS	Page 15
PRE-FILTERS	Page 16
LIQUID FILTERS	Page 16

Depressor Kit for Filtration Recovery System (FRS)



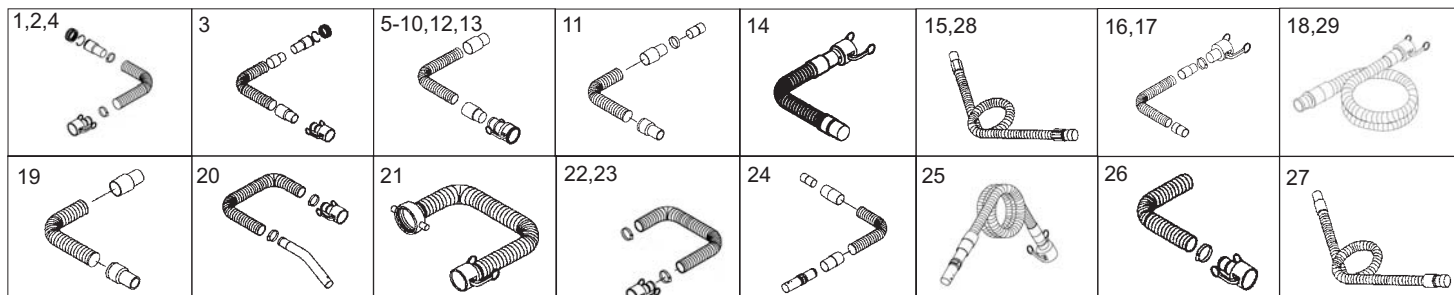
1	214240 214245 214248	Depressor Kit for poly liner (complete). For models FRS-17 STD series Depressor Kit for poly liner (complete). For models FRS-40 STD series Depressor Kit for poly liner (complete). For models 2D-20 (DT) MFS and AV-20 (DT) MFS	
2	213050B 213898B	Depressor Screen ø38cm. Stainless Steel. For models FRS-17 STD series Depressor Screen ø57cm. Stainless Steel. For models FRS-40 STD series	
3	250012 250010	Hose Cuff, ø25.4mm Static Conductive, black Crushproof Suction Hose, ø25.4mm, Static Conductive (no wire), black / meter (0.9 meter required)	
4	500159	Clamp, size 32, for hose end	
5	211685	Street Elbow, ø19mm, Stainless Steel	
6	212940	Nipple, ø19mm NPT x 2" LG, Stainless Steel	
7	212101A 212103A	Poly Liner, Static Dissipating, with draw string for the recovery of fine dust. For models FRS-17 STD series Poly Liner, Static Dissipating, with draw string for the recovery of fine dust. For models FRS-40 STD series	

Water and Oil Separators for Filtration Recovery System (FRS)

8	214200	Water Separator, ø19mm	
9	214194	Oil Separator, ø12.7mm	

***Promotional Price**

OPTIONAL HOSE ASSEMBLIES



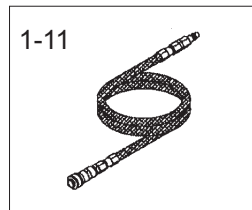
1	381427	Clear Urethane Suction Hose, SD*, with stainless steel female camlock and stainless steel female screw type. ø38mm x 3.8m. For model CD-1500 series
2	381427B	Clear Urethane Suction Hose Assembly, SD*, with ø38mm stainless steel female screw type connector for ø38mm accessories and stainless steel female camlock for ø50mm intake. ø38mm x 3.8m. For models CD-2600 CR, CD-3000 series
3	381430	Clear Urethane Suction Hose Assembly, SD*, with ø38mm female camlock and female screw type. ø38mm x 3.8m. For models 2D-11 DT MRP, 2D-14 (4W), BL-20 (DT) MFS, CS-11 (DT) MRP, CS-14 (4W) and CS-27 (TC)
4	381430B	Clear Urethane Suction Hose Assembly, SD*, for ø50mm camlock intake. ø38mm x 3.8m. For models 4D-14 (4W) and 4D-27 (TC)
5	381432	Clear Urethane Suction Hose Assembly, SD*, for ø38mm camlock intake. ø38mm x 7.5m
6	381432B	Clear Urethane Suction Hose Assembly, SD*, for ø50mm camlock intake. ø38mm x 7.5m
7	500395	Clear Urethane Suction Hose Assembly, SD*, for ø50mm camlock intake. ø50mm x 3.8m
8	500395B	Clear Urethane Suction Hose Assembly, SD*, with ø50mm female camlock and ø50mm hose cuff. ø50mm x 3.8m. For models CD-5000 series and 4D-11 (DT) MRP
9	500397	Clear Urethane Suction Hose Assembly, SD*, for ø50mm camlock intake. ø50mm x 7.5m
10	381137A	Crushproof Suction Hose with regular hose cuff. ø38mm x 3m. For models 2D-15 Hospital, 2D-15 (TC), 2D-16 (TC), 2D-25 (TC), CS-15 (TC) RE and CS-25 (TC) RE
11	381137B	Crushproof Suction Hose with swivel hose cuff. ø38mm x 3m. For models B-4 DS, B-7 DS, B-8, CS-4 RE, CS-7 RE and CS-8 RE
12	381137D	Crushproof Suction Hose Assembly. ø38mm x 3m. For model AV-20 DT (MFS) HEPA
13	381137G	PVC Crushproof Hose Assembly for ø50mm camlock intake. ø38mm x 3m. For 2D-20 (DT) & AV-20 (DT)
14	381138G	Crushproof Suction Hose with regular hose cuff. ø38mm x 4.5m. For model CS-55 Single Venturi
15	381475	Crushproof Suction Hose Assembly. 2.4m. For models AS-400 and AS-400 MR
16	383440	Crushproof Suction Hose Assembly, static conductive. For general purposes. Not recommended for conductive dusts. ø38mm x 3m. For model AVSD-20 DT (MFS) HEPA
17	383440B	Crushproof Suction Hose Assembly (no wire), static conductive, for ø50mm camlock intake. ø38mm x 3m. For model AVSD-35 (STD)
18	500131	Crushproof Suction Hose for use with ø50mm camlock intake. ø50mm x 4.5m. For models 4D-25 (TC), 4D-57 (TC), ECO-55 (4W), CS-55 Twin Venturi and 2D/CS-22 MR NUC HEPA
19	381140CB	Crushproof Suction Hose Assembly. ø38mm x 6m. For models CS-30 (CB) and CS-55 (CB)
20	323471	Foodgrade Suction Hose. Made of crystal clear PVC with stainless steel ends. Smooth interior and exterior allows for easy decontamination. Complies with FDA requirements (CFR Title 21 parts 170-199) & USDA chemically acceptable for food grade applications. ø32mm x 4.5m. For model 2D-15 Decom SS
21	381390B	Foodgrade Suction Hose Assembly with ø38mm stainless steel female screw type connector for ø38mm accessories and stainless steel female camlock for ø50mm suction intake. Made of crystal clear PVC with smooth interior and exterior. Meets FDA requirements. ø38mm x 3m. For model CS-3000 series.
22	381387	Vinylife Connection/Suction Hose with ø38mm female camlock on one end. To connect vacuum cleaner top-processing equipment. ø38mm x 1.8m. For models CD-1500 series, CD-2600 CR and CD-3000 series
23	500381	Vinylife Connection/Suction Hose with ø50mm female camlock on one end. To connect vacuum cleaner top-processing equipment. ø50mm x 1.8m. For models CD-2600 CR and CD-5000 series
24	323303	PVC Suction Hose with straight connector. Assembled with stainless steel ends. ø32mm x 3m. For Model B-4 DS Static Free
25	323540	PVC Suction Hose Assembly with straight handle and camlock. Stainless steel. ø32mm x 3m. For model CD-1500 series
26	381093	PVC Drain Hose. ø19mm x 1.5m
27	323500	Suction Hose. 2.4m. For model AS-5
28	381560	Suction Hose. ø38mm x 2.4m. For model AV-35 (STD)
29	381560B	Econo Suction Hose Assembly. For use with ø50mm camlock inlet. ø38mm x 2.4m

SD* - Static Dissipating

S/S** - Stainless Steel AISI 304

THE ABOVE PRICES ARE EXPRESSED IN € EURO FOB BOLOGNA, ITALIA - PRICES SUBJECT TO CHANGE WITHOUT NOTICE

OPTIONAL AIR SUPPLY HOSE ASSEMBLIES



1	211029C	Air Supply Hose, SD*, with Chicago/King fittings on one end and $\varnothing 25.4$ mm male NPT on other end. $\varnothing 12.7$ mm x 7.5m. For models AVSD-20 DT (MFS) HEPA and AVSD-35 (STD)	
2	211030	Air Supply Hose with quick disconnect fittings for single venturi. SD*. $\varnothing 12.7$ mm x 15m. For models CS-11 (DT)MRP, CS-14 (4W) and CS-27 (TC)	
3	211786	Air Supply Hose Assembly with male and female brass quick disconnects. $\varnothing 12.7$ mm x 7.5m	
4	211786C	Air Supply Hose with Chicago/King fitting on one end and $\varnothing 12.7$ mm male NPT on other end. $\varnothing 12.7$ mm x 7.5m. For models AV-20 DT (MFS) HEPA and AV-35 (STD)	
5	211787	Air Supply Hose Assembly with female quick disconnect. $\varnothing 12.7$ mm x 15m. For models CD-10000 STD series and CD-15000 STD series	
6	211030B	Air Supply Hose Assembly, SD*, with male NPT brass on both ends. $\varnothing 12.7$ mm x 15m	
7	211032	Air Supply Hose Assembly, SD*, with male and female quick disconnects. $\varnothing 25.4$ mm x 15m	
8	211032A	Air Supply Hose Assembly with $\varnothing 25.4$ mm male NPT brass on both ends. $\varnothing 25.4$ mm x 15m	
9	213983	Air Supply Hose Assembly with male and female brass quick disconnects. $\varnothing 25.4$ mm x 15m	
10	213984A	Air Supply Hose Assembly with $\varnothing 25.4$ mm male NPT fittings on each end. $\varnothing 25.4$ mm x 8.7m	
11	213984B	Air Supply Hose Assembly with $\varnothing 25.4$ mm male NPT fittings on each end. $\varnothing 25.4$ mm x 12.6m	

OPTIONAL HOSE ONLY (Sold by the foot in 1.5 meter increments)

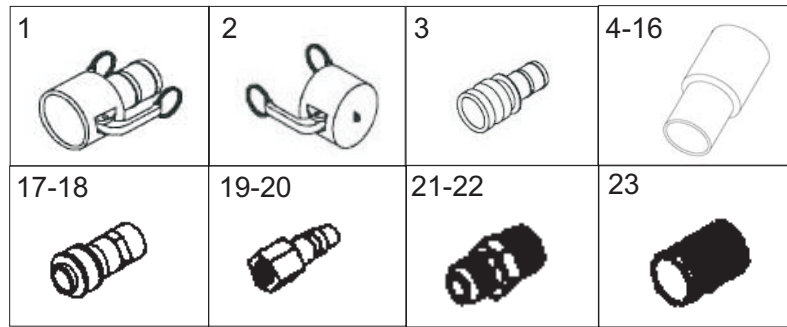
1	250010	Crushproof Suction Hose, SC*** (no wire), $\varnothing 25.4$, black	
	323430	Crushproof Suction Hose, SC*** (no wire), $\varnothing 32$ mm, black	
	383438	Crushproof Suction Hose, SC*** (no wire), $\varnothing 38$ mm black	
	500538	Crushproof Suction Hose, SC*** (no wire), $\varnothing 50$ mm, black	
2	323340A	Crushproof Suction Hose, $\varnothing 32$ mm, beige	
	323340	Crushproof Suction Hose, $\varnothing 32$ mm, grey	
	381141	Crushproof Suction Hose, $\varnothing 38$ mm	
	500140	Crushproof Suction Hose, $\varnothing 50$ mm	
3	323440	Clear Urethane Suction Hose, SD*, $\varnothing 32$ mm	
	381425	Clear Urethane Suction Hose, SD*, $\varnothing 38$ mm	
	500390	Clear Urethane Suction Hose, SD*, $\varnothing 50$ mm	
	635078	Clear Urethane Suction Hose, SD*, $\varnothing 64$ mm	
	990010	Clear Urethane Suction Hose, SD*, $\varnothing 100$ mm	
4	381388	Foodgrade Suction Hose, $\varnothing 38$ mm	
5	211785	Air Supply Hose, $\varnothing 12.7$ mm, red	
	211785C	Air Supply Hose, $\varnothing 25.4$ mm, red	

SD* - Static Dissipating

S/S** - Stainless Steel AISI 304

THE ABOVE PRICES ARE EXPRESSED IN € EURO FOB BOLOGNA, ITALIA - PRICES SUBJECT TO CHANGE WITHOUT NOTICE

OPTIONAL HOSE ACCESSORIES



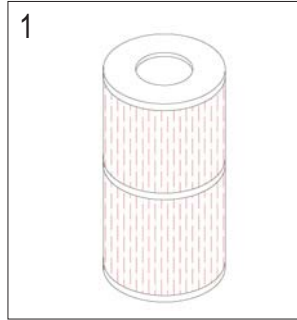
1	381097	Camlock Part C, female connector with hose shank, ø19mm. Aluminum	
	213160	Camlock Part C, female adaptor with hose shank, ø25.4mm Aluminum	
	381229	Camlock Part C, female adaptor, ø38mm. Aluminum	
	381233	Camlock Special Part C, ø38mm female adaptor with ø19mm hose shank. Aluminum	
	381233B	Camlock Special Part C, ø38mm female adaptor with ø25.4mm hose shank. Aluminum	
	500163	Camlock Part C, ø50mm, female with ø50mm hose shank. Aluminum	
	500175	Camlock Special Part C, ø50mm female adaptor to ø38mm hose shank. Aluminum	
	500338	Camlock Special Part C, ø64mm female camlock DC modified to ø50mm tube hose shank. Aluminum	
	635009	Camlock Special Part C, ø64mm adaptor with ø50mm hose shank. Aluminum	
	635010	Camlock Part C, female adaptor with hose shank, ø64mm. Aluminum	
	760020	Camlock Part C, ø76mm. Aluminum	
	212457	Camlock Part C, female adaptor with hose shank, ø100mm. Aluminum	
	990101	Camlock Special Part C, ø100mm female coupler with ø50mm hose barb. Aluminum	
2	381230	Camlock Part DC (Dust Cap), ø38mm. Aluminum	
	211114	Camlock Part DC (Dust Cap), latched, ø50mm. Aluminum	
	635008	Camlock Part DC (Dust Cap), ø64mm. Aluminum	
	212455	Camlock Part DC (Dust Cap), ø100mm. Aluminum	
3	213162	Camlock Part E (for extensions), male adaptor with hose shank, ø25.4mm. Aluminum	
	381326	Camlock Part E (for extensions), ø38mm. Aluminum	
	500343	Camlock Part E (for extensions), ø50mm male camlock with ø50mm hose shank. Aluminum	
4	250012	Hose Cuff, static conductive. ø25.4mm. Black	
5	250014	Expander Hose Cuff, static conductive. ø25.4mm to ø38mm. Black	
6	323324A	Hose Cuff. ø32mm. Grey PVC	
7	323324B	Hose Cuff. ø32mm. Beige	
8	323325A	Hose Cuff Expander. ø32mm to ø38mm. Grey	
9	323325B	Hose Cuff Expander. ø32mm to ø38mm. Beige	
10	323432	Hose Cuff, static conductive. ø32mm. Black	
11	323434	Expander Hose Cuff, static conductive. ø32mm to ø38mm. Black	
12	383435	Expander Hose Cuff, static conductive. ø38mm to ø50mm. Black	
13	383436	Hose Cuff, static conductive. ø38mm. Black	
14	383437	Swivel Hose Cuff, static conductive. ø38mm. Black	
15	500166	Hose Cuff Reducer. ø50mm to ø38mm. Grey	
16	500536	Hose Cuff, static conductive. ø50mm. Black	
17	211033B	Female Quick Disconnect with ø12.7mm female thread. ø12.7mm. Brass	
18	211034B	Female Quick Disconnect with ø25.4mm female thread. ø25.4mm. Brass	
19	211033A	Male Quick Disconnect with ø12.7mm female thread. ø12.7mm. Brass	
20	211034	Male Quick Disconnect with ø25.4mm female thread. ø25.4mm. Brass	
21	211788	Adaptor with hose barb and male threads. ø12.7mm. Brass	
22	213971	Fitting. ø25.4mm NPT x ø25.4mm hose barb. Brass	
23	211095C	Hex Nipple. ø12.7mm NPT. Brass.	

SD* - Static Dissipating

S/S** - Stainless Steel AISI 304

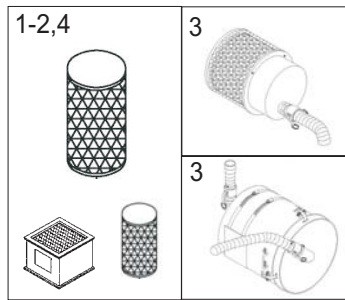
THE ABOVE PRICES ARE EXPRESSED IN € EURO FOB BOLOGNA, ITALIA - PRICES SUBJECT TO CHANGE WITHOUT NOTICE

CATRIDGE FOR REVERSE PULSE/PURGE



1	213435	Reverse Pulse Filter Cartridge. Made of spun bond polyester. 66cm high x 10cm ID x 24cm OD. For model FRS-40 STD (RPS)	
	214179	Reverse Purge Filter Cartridge. Made of spun bond polyester with PTFE membrane. 37.161 cm². For models 2D-11 (DT) MRP, 4D-11 (DT) MRP and CS-11 (DT) MRP	
	214211	Reverse Pulse Filter Cartridge. Made of spun bond polyester with PTFE membrane. 66cm high x 21cm ID x 32cm OD. For model FRS-17 STD (RPS)	

OPTIONAL HEPA/ULPA FILTRATION



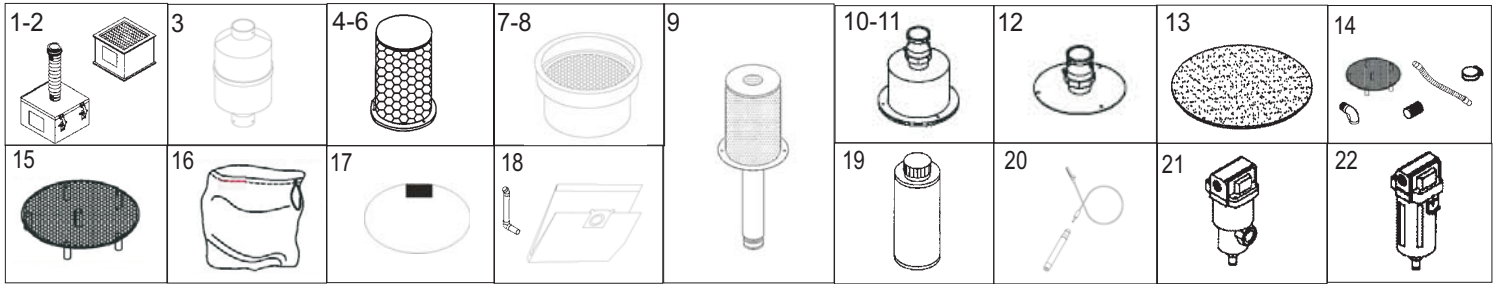
1	211027B	HEPA Filter - efficiency of 99.995% on 0.3 micron. H14 as per MPPS method EN 1822. For models 2D-11 (DT) MRP, 4D-11 (DT) MRP, 2D-14 (4W), 2D-15 (DECOM), 2D-15 HOSPITAL, B-4 DS, B-7 DS, B-8, 2D-15 (TC), 2D-16 (TC), 2D-25 (TC), 4D-25 (TC), 4D-57 (TC), BL-20 (DT) MFS, CD-1500 CR series,, CS-5 RE, CS-7 RE, CS-8 RE HEPA, CS-15 (TC) RE HEPA, CS-25 (TC) RE HEPA, CS-55 (TC) RE series, CS-11 (DT) MRP (RE) HEPA, CS-14 (4W) RE HEPA AND CS-27 (TC) RE HEPA	
	212202	For models 4D-14 (4W), 4D-27 (TC) AND CD-5000 series	
	212303	For models AS-5, AS-400 AND AS-400 MR	
	212304B	For models AV-20 DT (MFS) HEPA AND AVSD-20 DT (MFS) HEPA	
	213182	For models CD-2600 CR series AND ECO-55 (4W) series	
	213183	For models CD-10000 STD series AND CD-15000 series. For models CS-30 (CB) AND CS-55 (CB)	
2	211027	ULPA Filter - efficiency of 99.9995% on 0.18 micron. U15 as per MPPS method EN 1822. For models 4D-/CS-22 MR NUC HEPA AND CD-1500 series	
	212203	For model CD-3000 series	
3	213816	HEPA Filters for Upstream and Downstream locations HEPA Filter and Downstream Housing Assembly with ø64mm attachment. S/S**. For CD-10000 STD	
	213817	HEPA Filter and Upstream Housing Assembly with ø64mm attachment. S/S. For model CD-10000 STD	
	213818	HEPA Filter and Downstream Housing Assembly with ø100mm attachment. S/S**. For CD-15000 STD	
	213819	HEPA Filter and Upstream Housing Assembly with ø100mm attachment. S/S. For model CD-15000 STD	
4	213078	HEPA Filter - Nuclear Grade 30cm square Nuclear Grade UL-586 & ASME AG-1 Sec FC 3000 Specifications. For models 4D-CS-22 MR NUC	

SD* - Static Dissipating

S/S** - Stainless Steel AISI 304

THE ABOVE PRICES ARE EXPRESSED IN € EURO FOB BOLOGNA, ITALIA - PRICES SUBJECT TO CHANGE WITHOUT NOTICE

OPTIONAL FILTRATION ACCESSORIES



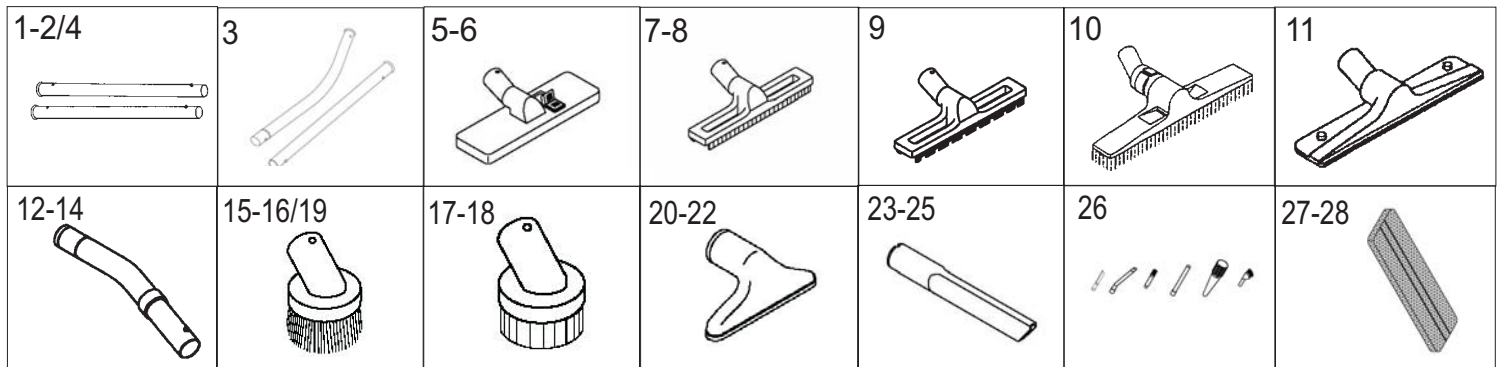
* Promotional Price

1	213079	HEPA Filter Assembly with Housing for 30cm square Nuclear Grade HEPA Filter. UL-586 & ASME AG-1. For models 4D/CS-22 MR NUC HEPA	
2	214082	Detachable HEPA/ULPA Housing Assembly with ULPA Filter	
3	214352A	Exhaust Silencer. ABS type. For model CD-1500 series	
4	212206	Perforated Housing for ULPA Filter # 212203. Stainless steel. For models CD-3000 CR & CD-5000 series	
5	213088	HEPA/ULPA Housing. Stainless Steel. For model CD-1500 series	
6	213197B	HEPA Housing. Powder Coated. For model CD-2600 CR series	
7	213348B 213348C 213348K 213348L	Carbon Cartridge with 8kg of 3mm regular carbon. For model CD-3000 (MRAC) Carbon Cartridge with 8kg of 3mm Mersorb brand carbon for mercury vapors. For model CD-3000 (MRAC) Carbon Cartridge with 8kg of 3mm Kina 3 brand carbon for chloride and acid vapors (JF, HCL, etc.) For model CD-3000 (MRAC) Carbon Cartridge with 8kg of 3mm Nusorb A-3 brand carbon for arsine and phosphine. Also suitable for certain types of acid vapors. For model CD-3000 (MRAC)	
8	212200B 212200C 212200K 212200L	Carbon Cartridge with 8kg of 3mm regular carbon. For model CD-5000 (MRAC) Carbon Cartridge with 8kg of 3mm Mersorb brand carbon for mercury vapors. For model CD-5000 (MRAC) Carbon Cartridge with 8kg of 3mm Kina 3 brand carbon for chloride and acid vapors (JF, HCL, etc.) For model CD-5000 (MRAC) Carbon Cartridge with 8kg of 3mm Nusorb A-3 brand carbon for arsine and phosphine. Also suitable for certain types of acid vapors. For model CD-5000 (MRAC)	
9	213380	Support Tube with Plate for Downstream ULPA Filter. Stainless steel. For model CD-1500 series	
10	212496A	Housing for ULPA filter with ø50mm male camlock. Allows for an exhaust hose to be used in conjunction with ULPA Filter # 211027. Stainless steel. Electropolished. For model CD-1500 series	
11	213004	Housing for ULPA filter with ø50mm male camlock. Allows for an exhaust hose to be used in conjunction with ULPA Filter # 212300. Stainless steel. For model CD-3000 CR and CD-5000 series	
12	213035	Adaptor Plate with ø50mm male camlock. Allows for an exhaust hose to be used with the vacuum cleaner without using the ULPA Filter. For models CD-1500 CR, CD-3000 CR and CD-5000 series	
13	212307	Foam Exhaust Filter. For model AS-5 HEPA	
14	214240 214245 214248	Depressor kit for poly liner recovery bag. For models FRS-17 STD series Depressor kit for poly liner recovery bag. For models FRS-40 STD series Depressor kit for poly liner recovery bag. For models 2D-20 (DT) MFS and AV-20 (DT) MFS	
15	213050B 213898B	Depressor screen, ø38cm, S/S**. For FRS-17 STD series Depressor screen, ø57cm, S/S**. For FRS-40 STD series	
16	212367 212370 212374A 212376 213184 213185 213340 214830 214832 214987	Poly Liners (package of 5). For models 2D-11 (DT) MFS, 4D-11 (DT) MFS and BL-20 (DT) MRP Poly Liners (package of 5). For models 2D-14 (4W) and CS-14 (4W) Poly Liners with print, 6mil. For model 2D-16 (TC) Poly Liners (package of 5). For model CS-27 (TC) RE Poly Liners (package of 5). For model 4D-14 (4W) Poly Liners (package of 5). For model 4D-27 (TC) Poly Liners (package of 5). For CD-5000 (SCFS) Poly Liners (package of 5). For CD-1500 CR (MCF) Poly Liners without hole (package of 5). For CD-1500 (PFB) Poly Liners with draw strings. For model AV-20 DT (MFS) HEPA and AVSD-20 DT (MFS) HEPA	
17	213780	Poly Liner Retainer Plate with Clip.	
18	211028 211063 211064 211069 212300 212500 212535 212994 211841	Latex Paper Filter Bags (package of 5). For models B-4DS series and B-8 Paper Filter Bags (package of 5). For models 2D-15 (DECOM), 2D-15 Hospital and 2D-15 (TC) Paper Filter Bags (package of 5). For models 2D-16 (TC), 2D-25 (TC) and 4D-25 (TC) Latex Paper Filter Bags (package of 12). For model B-4DS Static Free Paper Filter Bags (package of 5). For model AS-5 HEPA Paper Filter Bags (package of 5). For models B-7DS and CD-1500 series Paper Filter Bags (package of 5). For models AS-400 and AS-400 MR Paper Filter Bags (package of 5). For models 2D-14 (4W), 4D-14 (4W) and CS-14 (4W) Connector for Paper Filter Bag	
19	211701	De-foaming liquid, 909 ml	
20	211065	Ground continuity tester (batteries not included)	
21	214200	Water Separator, ø19mm	
22	214194	Oil Separator, ø12.7mm	

SD* - Static Dissipating S/S** - Stainless Steel AISI 304

THE ABOVE PRICES ARE EXPRESSED IN € EURO FOB BOLOGNA, ITALIA - PRICES SUBJECT TO CHANGE WITHOUT NOTICE

OPTIONAL ø32mm Tools



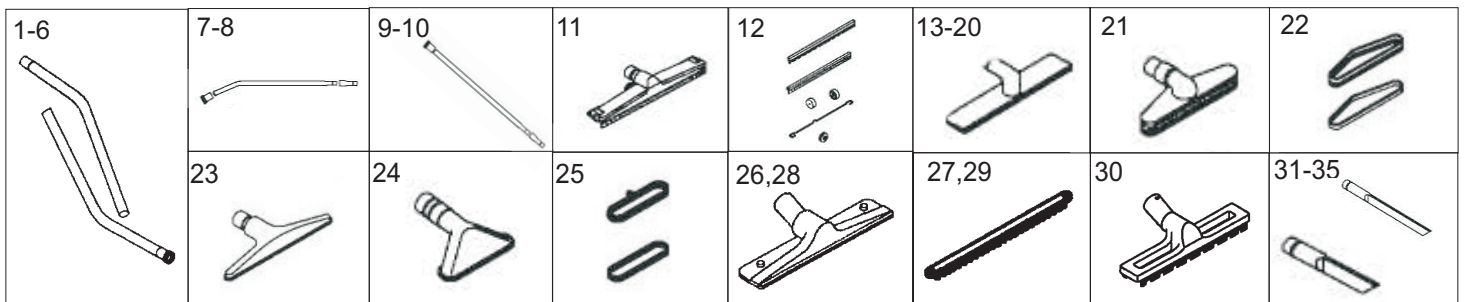
1	323315	Extension Wands, set of 2. Chrome	
2	323330	Extension Wands, set of 2. Stainless steel	
3	323331	Wands, set of 2, one curved and one straight. Stainless steel	
4	323504	Extension Wands, set of 2. 51cm	
5	323311	Combi Floor Tool	
6	323311B	Combi Floor Tool. Black	
7	323317	Utility Floor Tool for liquid recovery with wheels and rubber blades. PVC	
8	323317A	Utility Floor Tool with wheels and rubber blades. ESD safe plastic	
9	323318	Utility Floor Tool with brush strips	
10	323508	Floor Tool. 36cm	
11	323332	Carpet Tool. 33cm. Aluminum	
12	323326	Curved Handle with airflow regulator. Chrome	
13	323329	Curved Handle with airflow regulator. Stainless steel	
14	323502	Curved Handle	
15	323312	Round Brush	
16	323312A	Round Brush. ESD safe plastic	
17	323321	Round Tool with rubber blades	
18	323321A	Round Tool with rubber blades. ESD safe plastic	
19	323514	Dusting Brush. ø8cm	
20	323314	Flat Tool. PVC	
21	323314A	Flat Tool. ESD safe plastic	
22	323512	Upholstery Tool. 12.7cm	
23	323313	Crevice Tool. PVC	
24	323313A	Crevice Tool. ESD safe plastic	
25	323510	Crevice Tool. 20cm	
26	323316	Micro Tool Kit. 6 mini attachments. ESD safe plastic. Includes the following:	
	323316A	Crevice Tool. ESD safe plastic	
	323316B	Extension Curve. ESD safe plastic	
	323316C	Dusting Brush. ESD safe plastic	
	323316D	Extension, straight. ESD safe plastic	
	323316E	Reducer, conical. ESD safe plastic	
	323316F	Dusting brush, oval. ESD safe plastic	
27	211066	Micro Pad for use with Combi Tool. Laundered and heat sealed. Ideal for particle sample analysis. Made of continuous filament polyester mesh.	
28	211067	Micro Pads (package of 6)	

SD* - Static Dissipating

S/S** - Stainless Steel AISI 304

THE ABOVE PRICES ARE EXPRESSED IN € EURO FOB BOLOGNA, ITALIA - PRICES SUBJECT TO CHANGE WITHOUT NOTICE

OPTIONAL ø38mm Tools



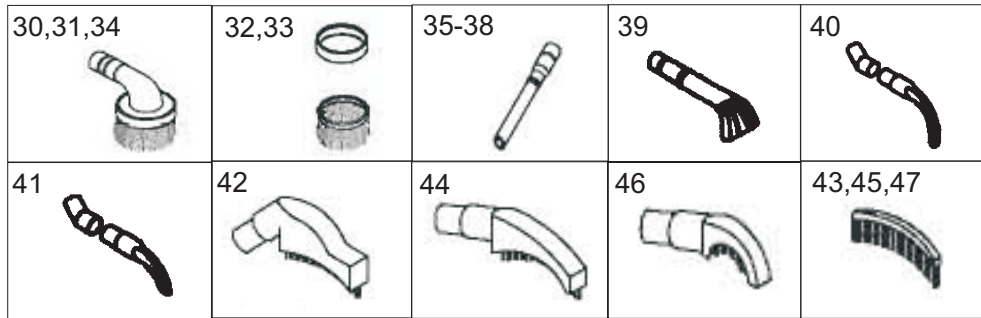
1	381163	Wand Assembly with aluminum attachment. 2 pcs. Chrome plated	
2	381163A	Wand only. 2 pcs. Chrome plated	
3	381163B	Wand Assembly with Tiger-Vac attachment. 2 pcs. Chrome plated	
4	381366	Wand Assembly with stainless steel screw type tool coupling. 2 pcs. Stainless steel	
5	381477	Double Bend Wand. 2 pcs. Chrome plated	
6	381562	Wand Assembly. 2 pcs. Chrome with plastic tool coupling	
7	381161	Single Bend Wand. SD*. 1.4m. Aluminum	
8	381161B	Single Bend Wand. 1.4m. Aluminum	
9	381572	Extension Wands. Set of 2. Plastic	
10	381164	Straight Extension Wand. 1.4m. PVC	
11	381171	Universal Tool. Includes rubber blades & brush strips. 46cm. Aluminum	
12	381173	Brush Strips for Universal Too. Set of 2. 46cm. Nylon	
	381172	Blades for Universal Tool. Set of 2. 46cm. Rubber	
	381174	Wheel for Universal Tool. Plastic	
	381177	Axle for Universal Tool. 46cm. Chrome	
	381178	Knob for Universal Tool	
13	381370	Floor Tool with nylon wheels and nitrile rubber blades. Autoclavable. 36cm. Stainless steel	
14	381377	Floor Tool with nylon brushes. 36cm. Aluminum	
15	381377A	Floor Tool with conductive brushes. SD*. 36cm. Aluminum	
16	381380	Floor Tool with nylon brushes. 36cm. ABS plastic	
17	381485	Floor Tool with brushes. 41cm	
18	381490	Floor Tool with squeegee. 41cm	
19	381564	Floor Tool with brushes. Plastic	
20	381566	Floor Tool with squeegee. Plastic	
21	381179	Wall Brush. 23cm. Aluminum	
22	381180	Replacement bristles for Wall Brush. 23cm. Nylon	
23	381182	Gulper Tool. 31cm. Aluminum	
24	381183	Upholstery Tool only with chrome coupling. 15cm. Aluminum	
25	381184	Clamp-on brush and bumper with nylon bristles for Upholstery Tool. 15cm	
	381184B1	Replacement Bristles for Clamp-on Brush and Bumper. Nylon	
26	381220	Carpet Tool. 28cm. PVC	
27	381322	Replacement brush strip for Carpet Tool. 28cm Nylon	
28	381221	Carpet Tool. 41cm. PVC	
29	381323	Replacement brush strip for Carpet Tool. 41cm. Nylon	
30	381568	Utility Tool with brushes. Plastic	
31	381188	Crevice Tool. SD*. 28cm. Aluminum	
32	381189	Crevice Tool with chrome connector. 61cm. Aluminum	
33	381197	Crevice Too. 28cm. Plastic	
34	381372	Crevice Tool. 28cm. Stainless steel	
35	381480	Crevice Tool. 25.4cm	

SD* - Static Dissipating

S/S** - Stainless Steel AISI 304

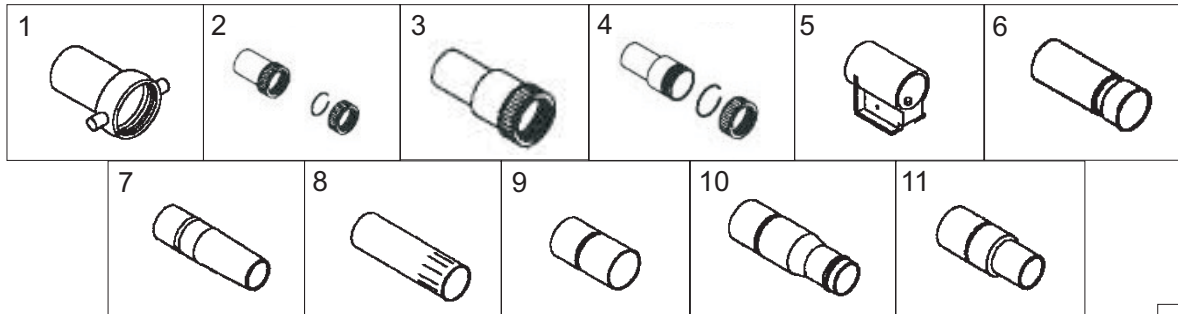
THE ABOVE PRICES ARE EXPRESSED IN € EURO FOB BOLOGNA, ITALIA - PRICES SUBJECT TO CHANGE WITHOUT NOTICE

OPTIONAL ø38mm Tools



30	381185	Dusting Brush with chrome coupling, with nylon bristles. ø13cm. Aluminum	
31	381185M	Dusting Brush with 1" nylon bristles. Brush only, no chrome connector. ø13cm. Aluminum	
32	381186	Replacement bristles for Dusting Brush. ø13cm. Nylon	
33	381187	Replacement bumper for Dusting Brush. ø13cm.	
34	381482	Dusting Brush. ø8cm.	
35	381190	Conical Nozzle Assembly. 15cm. Nitrile	
36	381190A	Conical Nozzle. 15cm. Rubber	
37	381219	Conical Nozzle Assembly. 53cm. Nitrile	
38	381570	Conical Nozzle / Reducer Adaptor ø38mm to ø32mm	
39	381228	Tiger Claw Tool. PVC	
40	381168	Pipe Cleaning Tool Assembly for 25.4mm to 100mm pipes. PVC	
41	381169	Pipe Cleaning Tool Assembly for 100mm to 203mm pipes. PVC	
42	381191	Pipe Cleaning Tool with nylon bristles. 152mm. Aluminum	
43	381192	Replacement Bristles for Pipe Cleaning Tool. 152mm. Nylon	
44	381193	Pipe Cleaning Tool with nylon bristles. 100mm to 152mm. Aluminum	
45	381194	Replacement Bristles for Pipe Cleaning Tool. 100mm to 152mm. Nylon	
46	381195	Pipe Cleaning Tool with nylon bristles. 25.4mm to 76mm. Aluminum	
47	381196	Replacement Bristles for Pipe Cleaning Tool. 25.4mm to 76mm. Nylon	

OPTIONAL ø38mm ACCESSORIES



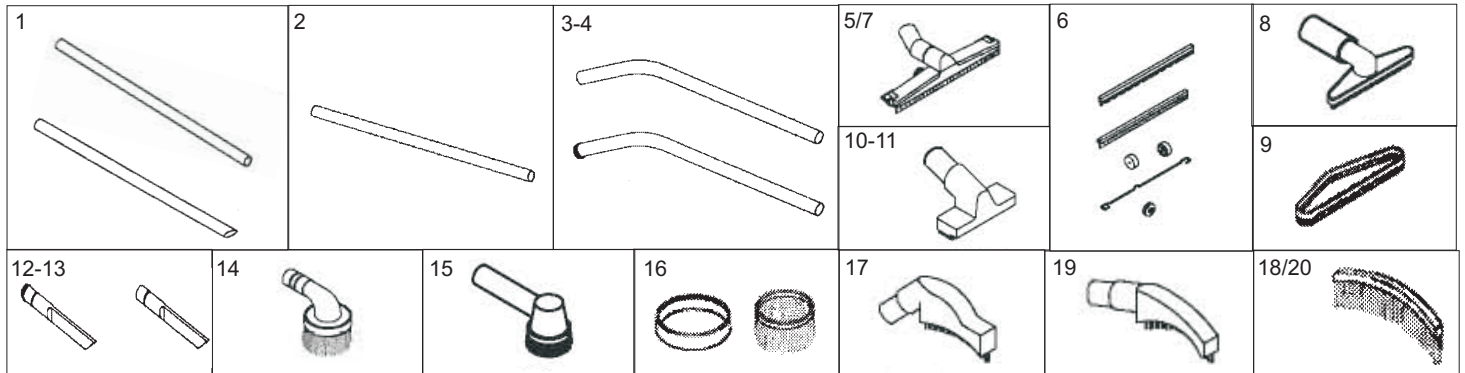
1	381142	Female Adaptor Assembly. ø38mm hose to ø50mm screw type intake. Aluminum	
2	381143	Attachement Assembly for wands. ø38mm. Aluminum	
	381145	Lock Nut Cap. Aluminum	
	381146	Ring for Lock Nut Cap. Brass	
3	381144	Female Attachment Assembly for suction hose. ø38mm. Aluminum	
4	381144A	Female Screw Type Connector for suction hose. ø38mm. Aluminum	
	381145	Lock Nut Cap. Aluminum	
	381146	Ring for Lock Nut Cap. Brass	
5	381153	Tiger-Vac Attachment. ø38mm	
6	381154	Male Connector for Tiger-Vac Attachment. ø38mm	
7	381155	Reducer, tapered. ø38mm to ø32mm. Aluminum	
8	381156	Hoffman Nipple. ø38mm	
9	381200	Male Connector, Short. ø38mm. Chrome	
10	381201	Male Connector, Long. ø38mm. Chrome	
11	381207	Reducer/Adaptor. ø38mm to ø32mm. PVC	

SD* - Static Dissipating

S/S** - Stainless Steel AISI 304

THE ABOVE PRICES ARE EXPRESSED IN € EURO FOB BOLOGNA, ITALIA - PRICES SUBJECT TO CHANGE WITHOUT NOTICE

OPTIONAL ø50mm TOOLS



1	500142A	Bulk Pick-Up Wand with end cut at 45 degrees. No coupling. 1.2m. Aluminum	
2	500143A	Extension Wand only with taper for multiple extensions. 1.2m. Aluminum	
3	500160	Single Bend Wand only with taper for Universal Tool. 1.2m. Aluminum	
4	500218	Wand without coupling. Chrome	
5	500161	Universal Tool with rubber blades and regular brush strips. No coupling. 51cm. Aluminum	
6	500145 500146 381174 500151 381178	Blades for Universal Tool, set of 2. 51cm. Rubber Brush Strips for Universal Tool, set of 2. 51cm Wheel for Universal Tool. Plastic Axle for Universal Tool. 51cm. Chrome Knob for Universal Tool	
7	500220	Floor Tool with Squeegee with black plastic neck	
8	501178	Wall Brush with nylon bristles and ø50mm tube for pressure fit connection. 23cm. Aluminum	
9	381180	Replacement Bristles for Wall Brush. 23cm. Nylon	
10	501200	Utility Tool with nylon bristles and ø2" tube for pressure fit connection. 20cm Aluminum	
11	500154B	Utility Tool. 20cm. Aluminum	
12	500156B	Crevice Tool. 38cm. Aluminum	
13	500224	Crevice Tool	
14	500226	Dusting Brush	
15	501184	Dusting Brush with nylon bristles and ø50mm tube for pressure fit connection. ø13cm. Aluminum	
16	381187 381186	Replacement Bumper for Dusting Brush. ø13cm Replacement Bristles for Dusting Brush. ø13cm. Nylon	
17	501190	Pipe Cleaning Tool with nylon bristles and ø50mm tube for pressure fit connection. 152mm Aluminum	
18	381192	Replacement Bristles for Pipe Cleaning Tool. 152mm. Nylon	
19	501192	Pipe Cleaning Tool with nylon bristles and ø2" tube for pressure fit connection. 100mm to 152mm. Aluminum	
20	381194	Replacement Bristles for Pipe Cleaning Tool. 100mm to 152mm. Nylon	

OPTIONAL ø50mm ACCESSORIES



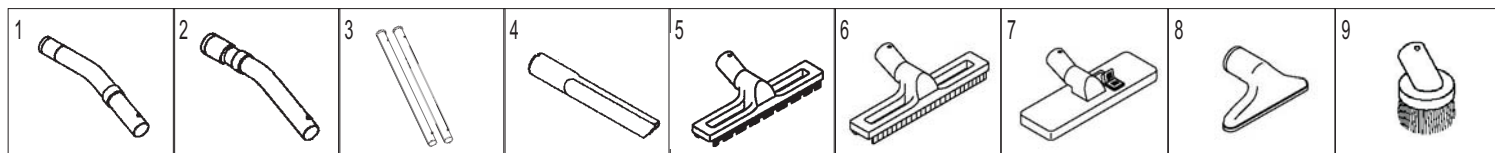
1	500164C	Male Connector for wands # 500142A, 500143A, 500160. Aluminum	
2	500157	Female Screw Type Adaptor for suction hoses. Aluminum	
3	500157B	Female Adaptor for wands # 500142A, 500160, 500143A. Aluminum	
4	635018	Female Screw Type Adaptor/Reducer, SD*, ø64mm hose to ø50mm tool. Aluminum	
5	500164	Male Screw Type Connector for suction hose. Aluminum	
6	500164B	Male Connector for Universal and Utility Tools # 500152B, 500154B, 500161. Aluminum	
7	500222	Adaptor for use with Crevice Tool and Dusting Brush	

SD* - Static Dissipating

S/S** - Stainless Steel AISI 304

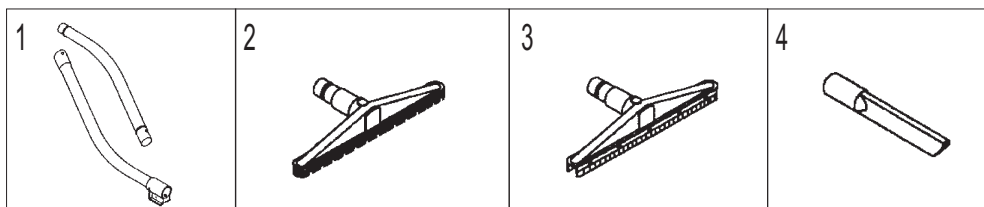
THE ABOVE PRICES ARE EXPRESSED IN € EURO FOB BOLOGNA, ITALIA - PRICES SUBJECT TO CHANGE WITHOUT NOTICE

TOOL KIT No. 1A & 1B - ø32mm



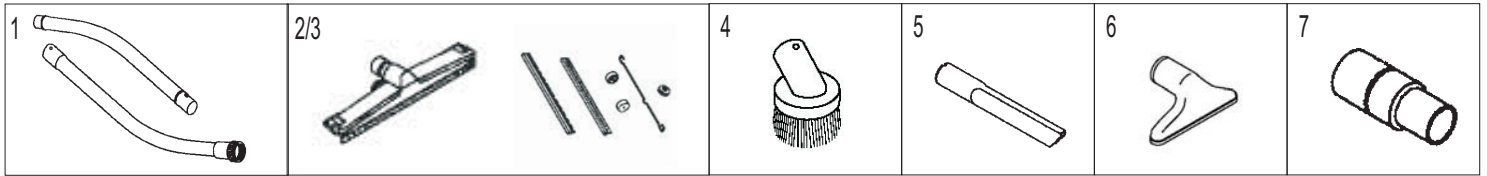
1	323326	Curved Handle with Airflow Regulator. Chrome	
2	381208	Curved Handle, ø38mm to ø32mm. Chrome	
3	323315	Extension Wands, set of 2. Chrome	
4	323313	Crevice Tool. 23cm. PVC	
5	323318	Utility Tool with brush strips. ø32mm	
6	323317	Utility Floor Tool with rubber blades	
7	323311	Combi Tool	
8	323314	Upholstery Flat Tool	
9	323312	Round Brush	
	323309	Tool Kit # 1A with Curved Handle	
	323310	Tool Kit # 1B with ø38mm to ø32mm Curved Handle	

TOOL KIT No. 2 - ø38mm



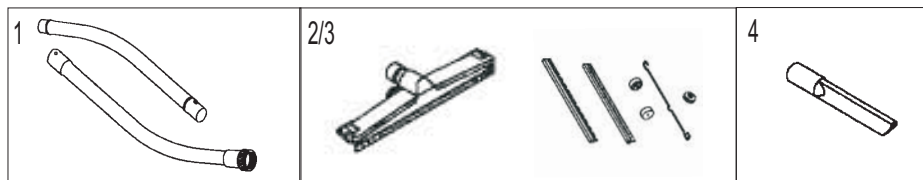
1	381163B	Wand Assembly with Tiger-Vac attachment, 2 pcs. Chrome	
2	381222	Floor Brush with Tiger-Vac attachment	
3	381225	Floor Tool with Tiger-Vac attachment, with squeegee blades. 36cm. ABS	
4	381197	Crevice Tool. 28cm. Grey PVC	
	381109	Tool Kit # 2 with Tiger-Vac attachment	

TOOL KIT No. 3 - ø38mm



1	381163A	Wand Only, 2 pcs. Chrome	
2	381171	Universal Tool, includes rubber blades and brush strips. 46cm. Aluminum	
3	381178	Knob for Universal Tool	
	381177	Axle for Universal Tool. 46cm. Chrome	
	381174	Wheel for Universal Tool. Plastic	
	381172	Blades for Universal Tool, set of 2. 46cm. Rubber	
	381173	Brush Strips for Universal Tool, set of 2. 46cm. Nylon	
4	323312	Round Brush	
5	323313	Crevice Tool. 23cm. PVC	
6	323314	Upholstery Flat Tool	
7	381207	Reducer/Adaptor. ø38mm to ø32mm. PVC	
	381110	Tool Kit # 3	

TOOL KIT No. 4B - ø38mm



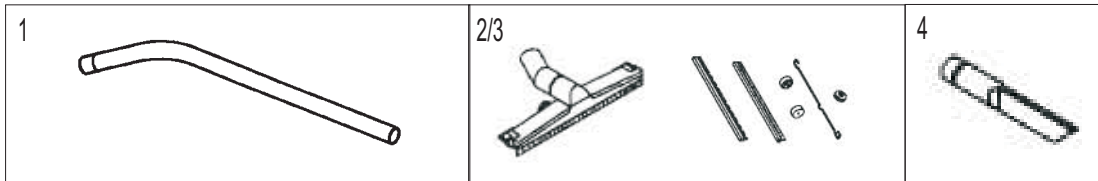
1	381163	Wand Assembly, with American Attachment. 2 pcs. Chrome	
2	381171	Universal Tool, includes rubber blades and brush strips. 46cm Aluminum	
3	381178	Knob for Universal Tool	
	381177	Axle for Universal Tool. 46cm. Chrome	
	381174	Wheel for Universal Tool. Plastic	
	381172	Blades for Universal Tool, set of 2. 46cm. Rubber	
	381173	Brush Strips for Universal Tool, set of 2. 46cm. Nylon	
4	381188	Crevice Tool, 28cm. Aluminum	
	381111B	Tool Kit # 4B	

SD* - Static Dissipating

S/S** - Stainless Steel AISI 304

THE ABOVE PRICES ARE EXPRESSED IN € EURO FOB BOLOGNA, ITALIA - PRICES SUBJECT TO CHANGE WITHOUT NOTICE

TOOL KIT No. 5 - ø50mm



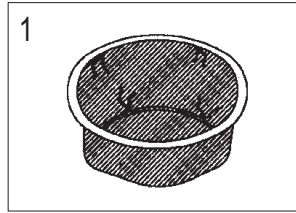
1	500160	Single Bend Wand only, no coupling, with taper. 1.2m. Aluminum	
2	500161	Universal Tool, no coupling, with rubber blades and regular brush strips. 51cm. Aluminum	
3	381178	Knob for Universal Tool	
	500151	Axle for Universal Tool. SD*. 51cm. Chrome	
	381174	Wheel for Universal Tool. Plastic	
	500145	Blades for universal Tool, set of 2. 51cm. Rubber	
	500146	Brush Strips for Universal Tool, set of 2. 51cm	
4	500156B	Crevice Tool. 38cm. Aluminum	
	500110	Tool Kit # 5	

SD* - Static Dissipating

S/S** - Stainless Steel AISI 304

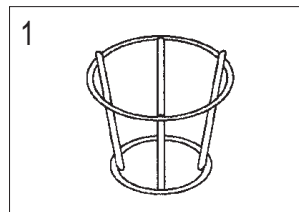
THE ABOVE PRICES ARE EXPRESSED IN € EURO FOB BOLOGNA, ITALIA - PRICES SUBJECT TO CHANGE WITHOUT NOTICE

MAIN CLOTH FILTERS



1	<p>211020 Main Filter Assembly. For models 4D-57, ECO-55 (4W) Wet & Dry and CS-55 (TC) RE series</p> <p>211020A Main Filter with laces for filter cage. (Cage sold separately). For model ECO-55 (4W).</p> <p>211038A Main Filter Assembly with laces for filter cage. Washable. (Cage sold separately). For models 2D/CS-22 MR NUC HEPA</p> <p>211226 Double Cloth Filter Assembly. For models B-4 DS Series, CS-4 RE and CS-7 RE</p> <p>211265 Double Cloth Filter Assembly. For models B-7 DS, B-8 and CS-8 RE</p> <p>211430 Main Filter. For models CS-15 (TC) RE and CS-25 (TC) RE</p> <p>211430A Main Filter with laces for filter cage. (Cage sold separately). For model CS-5000 Series</p> <p>211430T Main Filter Assembly. PTFE laminated. For models 2D-15 (TC), 2D-16 (TC), 2D-25 (TC) and 4D-25 (TC)</p> <p>212003 Main Filter Assembly. For modes 4D-14 (4W) and 2D-27 (TC)</p> <p>212003A Main Filter Assembly with laces for filter cage. (Cage sold separately). For models 2D-14 (4W), BL-20 (DT) MFS, CS-14 (4W) and CS-27 (TC)</p> <p>212305 Cloth Filter. For model AS-5</p> <p>212385 Extra Large Cloth Filter with black plastic ring. For model AS-400 HEPA</p> <p>212803A Main Filter with laces for filter cage. (Cage sold separately). For model CD-3000 series</p> <p>212803AT Main Filter with laces. PTFE laminated Polyester Felt. (Cage sold separately). For model CD-1500 series</p> <p>214883A Main Filter Assembly with gasket and ring. Polyester. For model AV-20 SD (MFS) HEPA and AVSD-20 (MFS) HEPA</p> <p>214883AT Main Filter Assembly with laces, with gasket and ring. PTFE laminated Polyester. Efficiency of 99.95% on 0.5 micron. (Cage sold separately). For models AV-20 DT (MFS) HEPA and AVSD-20 DT (MFS) HEPA</p> <p>Main Filter. For models CS-30 (CB) and CS-55 (CB)</p> <p>Cloth Filter. For model AS-400 MR</p> <p>215194 Main Filter. For models AV-35 (STD) and AVSD-35 (STD)</p>
---	---

CAGES FOR MAIN CLOTH FILTERS



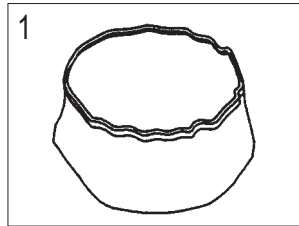
1	<p>212408A Cage for Main Filter. Electropolished. For model CD-3000 series</p> <p>212490 Cage for Filter. For model ECO-55 (4W) Dry only</p> <p>212734 Cage for Main Filter. For CD-5000 series</p> <p>213080B Cage for Main Filter. ø42cm x 13cm high x ø6.4mm ROD. Coated steel. For models 4D/CS-22 MR NUC</p> <p>213386A Cage for Main Filter. Stainless steel. Electropolished. For model CD-1500 series</p> <p>213186B Cage for Main Filter. Powder coated. For models 2D-14 (4W), BL-20 (DT) MFS, CS-14 (4W) & CS-27 (TC)</p> <p>214880B Cage for Main Filter. Powder coated. For models AV-20 DT (MFS) HEPA and AVSD-20 DT (MFS) HEPA</p>
---	---

SD* - Static Dissipating

S/S** - Stainless Steel AISI 304

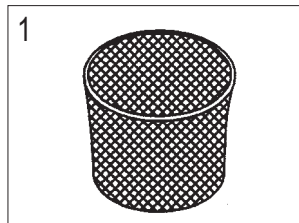
THE ABOVE PRICES ARE EXPRESSED IN € EURO FOB BOLOGNA, ITALIA - PRICES SUBJECT TO CHANGE WITHOUT NOTICE

PRE-FILTERS



1	211021 212057 212811 213152 214884	<p>Dralon Pre-Filter Assembly. For models 4D-57, ECO-55 (4W) and CS-55 (TC) series</p> <p>Dralon Pre-Filter. For models 2D-14 (4W), 4D-14 (4W), 2D-27 (TC), CD-5000 (MRAC), CS-15 (TC) RE, CD-25 (TC) RE, CS-14 (4W) and CS-27 (TC)</p> <p>Dralon Pre-Filter Assembly with stainless steel ring. For model CS-3000 series</p> <p>Dralon Pre-Filter with snaps for Manual Filter Shaker (MFS). For model BL-20 (DT) MFS & CD-5000 (SCFS)</p> <p>Dralon Pre-Filter only. For models 2D-20 (DT) MFS and AV-20 (DT) MFS</p>	

LIQUID FILTERS



1	211017 211274 211394	<p>Liquid Filter. For models 4D-57, ECO-55 (4W) Wet & Dry and CS-55 (TC) RE series</p> <p>Liquid Filter. For models B-8 and CS-8 RE</p> <p>Liquid Filter. For models 2D-15 (DECOM), 2D-15 HOSPITAL, 2D-15 (TC), 2D-16 (TC), 2D-25 (TC), CS-15 (TC) RE and CS-25 (TC) RE</p>	