

# SHOOTING RANGE

EXPLOSION PROOF / DUST IGNITION PROOF VACUUM CLEANER SYSTEMS  
PNEUMATICALLY (AIR) OPERATED  
MODELS SS-20L (DT) RE HEPA (FR-P) & SS-40L (4W) RE HEPA (FR-P)



**Top:** SS-40L (4W) RE HEPA (FR-P)  
**Right:** SS-20L (DT) RE HEPA (FR-P)  
(for illustration purposes only)

Characteristics:

Explosion	Shooting range compatible	HEPA filter	High efficiency
Stainless Steel	Detachable tank	Toolkit included	Manual Filter Shaker (MFS)

CE 0081 II 2 G/D EEx c IIC T6 (85°C)  
LCIE 03 ATEX 6310

- In accordance with ATEX 100a, Directive 94/9/EC for Category 2 ATEX Zone 1 (Gas) and ATEX Zones 21 (Dust) potentially explosive atmospheres, for non-electrical equipment.
- All Stainless Steel construction.
- HEPA Filter efficiency of 99.995% @ 0.3 micron. Tested: IEST RP-CC001.3. H14 by MPPS method as per EN 1822.
- For controlled environments and potentially explosive atmospheres.
- For the recovery of flammable and toxic powders such as unspent gunpowder and lead contaminants.
- Ideal for shooting ranges, military ammunition depots, manufacturer of firearms and pyrotechnic industries.

### SS-40L (4W) RE HEPA (FR-P)

- For dry recovery only.
- Mounted on a 4 wheel dolly for easy manoeuvrability.
- Wheels are static dissipating and conductive. Two wheels have brakes.
- Equipped with a static dissipating polyliner and a retainer clip to allow for easy and safe disposal of materials.

### SS-20L (DT) RE HEPA (FR-P)

- Mounted on a 4 wheel cart for easy manoeuvrability.
- Wheels are static dissipating and conductive. Two wheels have brakes.
- Equipped with a static dissipating polyliner and a retainer clip to allow for easy and safe disposal of materials.
- Detachable recovery tank with a capacity of 25 litres for easy emptying of recovered materials.

**Tiger-Vac**<sup>®</sup>  
...The name to vacuum with

Tiger-Vac Europa Srl  
Via Marie Curie 17  
Zona Industriale Ponte Rizzoli  
40064 Ozzano Emilia BO ITALIA  
Tel.: 39 051 795352  
Fax.: 39 051 4695077  
E-mail: info@tiger-vac.it

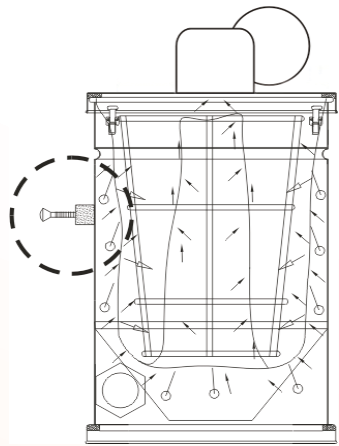
<http://www.tiger-vac.eu>

## Technical Specifications

Model	Input air volume	Air line size	Input Air pressure/bar	Suction intake Ø	Vacuum H <sub>2</sub> O	Airflow	Recovery Capacity
SS-40L (4W) RE HEPA (FR-P)	76 m <sup>3</sup> /h	0.5"	80 psi	38mm	4320 mm H <sub>2</sub> O	52 l/s	38ℓ
Dimensions: W46cm x H84cm. 27.5kg				Noise level : 70dB(A) at 1.8m (6') from the Venturi system			
SS-20L (DT) RE HEPA (FR-P)	76 m <sup>3</sup> /h	0.5"	80 psi	38mm	4320 mm H <sub>2</sub> O	52 l/s	25ℓ
Dimensions: L60cm x W58cm x H104cm. 27kg				Noise level : dB(A) at 1.8m (6') from the Venturi system			

The results indicated are averages. Individual results may vary with different compressors and installations

### MANUAL FILTER SHAKER SYSTEM (MFS) (SS-20L (DT) RE HEPA only)



- The filter shaker system consists of a spring action mechanism operating directly onto the filter cage located inside of the filter chamber. The system is operated by pressing on the ergonomic handle located on the side of the filter chamber.
- The Manual Filter Shaker dislodges the accumulated caked-on dust from the filter thus improving the filter's performance.
- A dralon pre-filter for very fine dust is included with the MFS filtration system.
- The filter, along with the filter cage, can be easily removed from the filter chamber and washed with lukewarm water and mild detergents.
- HEPA Filter 99.995% @ 0.3 micron. Tested: IEST RP-CC001.3. H14 by MPPS method as per EN1822. Or ULPA filter 99.999% @ 0.12 micron. Filtration Efficiency of 99.9995% @ 0.18 micron. Tested: IEST RP-CC001.3. U15 by MPPS method as per EN1822. Installed upstream. Optional.

### Included conductive and static dissipating tools and accessories (Ø38mm)



1	381400	Kanaflex suction hose, SD*, Ø38mm x 3m for 38mm camlock inlet.
2	381364A	Wand Assembly with aluminum attachment, 2 pcs, stainless steel
3	381236	Universal Tool Assembly, SD*, 46cm, aluminum with conductive brushes & rubber blades.
4	381372D	Crevice Tool, 28cm, stainless steel
5	381185DA	Dusting Brush, with conductive brush, Ø13cm, aluminum with stainless steel adaptor.
6	383462D	Conical Nozzle with curved tip, 25cm, conductive rubber with stainless steel adaptor.
7	211030	Air supply hose, SD*, Ø½" X 15m with quick disconnect fittings (not shown)
8	211065	Ground Continuity tester (batteries not included) - Not shown

\*SD: Static Dissipative and Conductive

### WARNING!

Only tools and accessories provided by Tiger-Vac shall be used with this vacuum cleaner. Any other tools used will render the warranty null and void any may cause an explosion which could result in bodily harm. Tiger-Vac will not assume any responsibility for damage that may occur due to the improper use or handling of the vacuum cleaner system.

For complete details please visit our website at [WWW.TIGER-VAC.EU](http://WWW.TIGER-VAC.EU) or contact one of our technical representatives. Specifications are subject to change without notice. Images are for illustration purposes only. Tiger-Vac is a registered trademark.